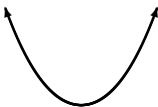
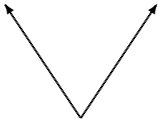


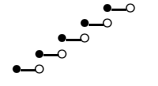


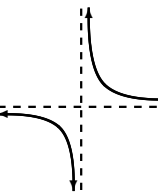



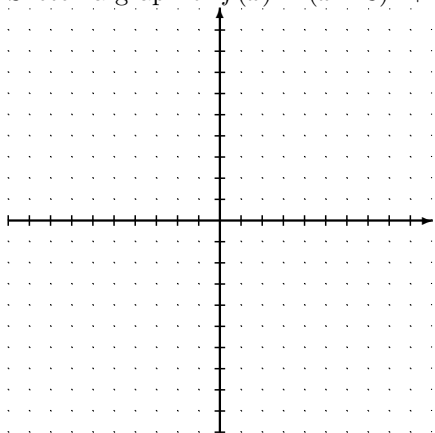
Don't use the calculator. Identify the family of functions with the graph.

Use the following to answer 1-20

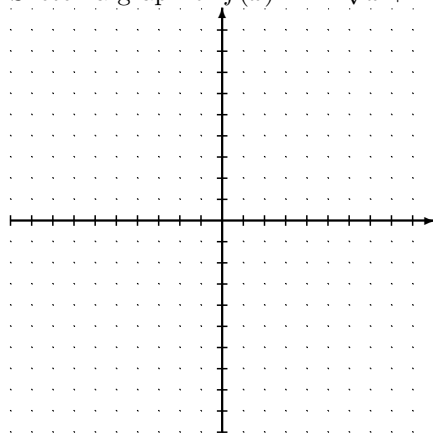
1. Square
2. Square root
3. Absolute Value
4. Linear
5. Greatest Integer
6. Reciprocal
7. Cube
8. $f(x) = -\sqrt{x}$
9. $f(x) = \sqrt{x}$
10. $f(x) = -x^2$
11. $f(x) = \sqrt{-x}$
12. $f(x) = x^2$
13. $f(x) = -2|x|$
14. $f(x) = \llbracket x \rrbracket$
15. $f(x) = \sqrt[3]{x}$
16. $f(x) = -x^3$
17. $f(x) = x$
18. $f(x) = \frac{1}{x}$
19. $f(x) = 4$
20. $f(x) = x^2 + 10x + 25$

- 
- (a)
- 
- (b)
- 
- (c)
- 
- (d)
- 
- (e)
- 
- (f)
- 
- (g)
- 
- (h)
- 
- (i)
- (j) None of these

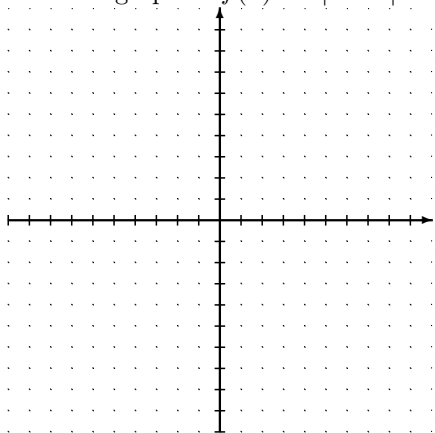
21. Sketch a graph of $f(x) = (x - 3)^2 + 4$



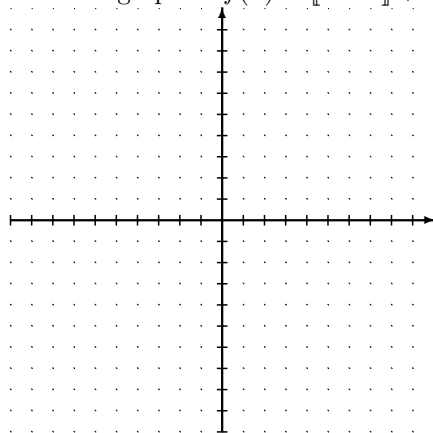
24. Sketch a graph of $f(x) = -2\sqrt{x + 1}$



22. Sketch a graph of $f(x) = 2|x - 1| - 3$



25. Sketch a graph of $f(x) = \llbracket x - 2 \rrbracket + 3$



23. Sketch a graph of $f(x) = \frac{1}{x + 3} - 2$

